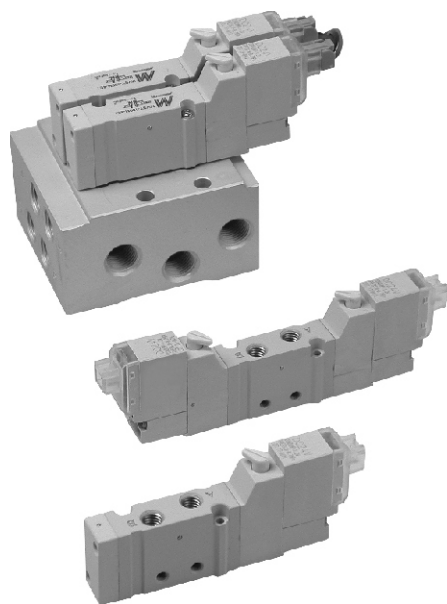


# MVSY-100 series

## SOLENOID VALVE



### Specification:

Model	MVSY-100-4E1	MVSY-100-4E2
Bore No.	M5	
Port size	M5×0.8	
No. of port	5	
No. of position	2	
Medium	Air	
Operating pressure range	2~7 kgf/cm <sup>2</sup>	
Proof pressure	10 kgf/cm <sup>2</sup>	
Effective orifice	4 mm <sup>2</sup>	
Response time	2 ms	
Ambient temperature	-5~+50°C (No freezing)	
Voltage	AC110V, AC220V (50/60)Hz, DC6/12/24V	
Power consumption	AC=1.6 / 2.5VA, DC=1.2W (LED indicator)	
Available voltage range	±10%	
Insulation class	F class	
Weight	30g	43g

### Order example of valve:

**MVSY – 100M – 4E2 – AC110 – 1A**

MODEL

BODY WIDTH

VOLTAGE

MOUNTING BRACKET

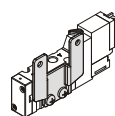
Blank: Body ported type  
M: Manifold type

4: 4way

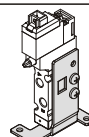
E1: Single solenoid  
E2: Double solenoid

AC110V(50/60)Hz  
AC220V(50/60)Hz  
DC6V  
DC12V  
DC24V

1A



2A



### Order example of manifold:

**MVSY – 100M – 5M3**

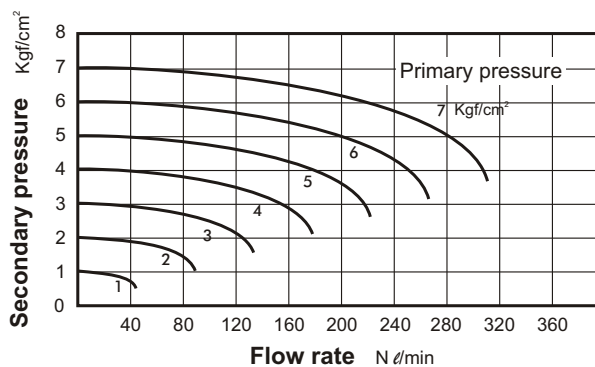
MODEL

Blank: Body ported type  
M: Manifold type

MANIFOLD  
5B: for body ported type  
5M: for manifold type

MANIFOLD NUMBER  
1, 2, 3

### Flow features:



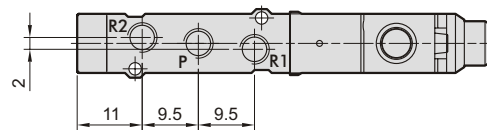
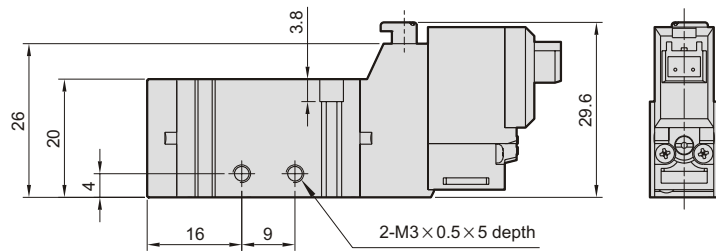
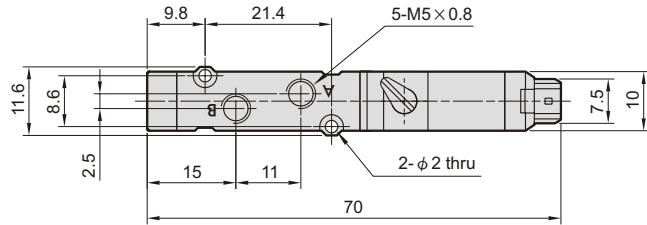
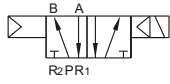
# MVSY-100

## SOLENOID VALVE

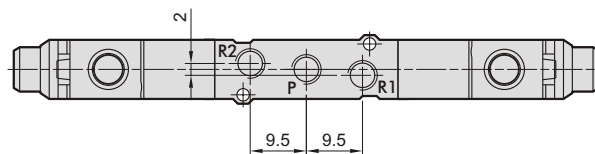
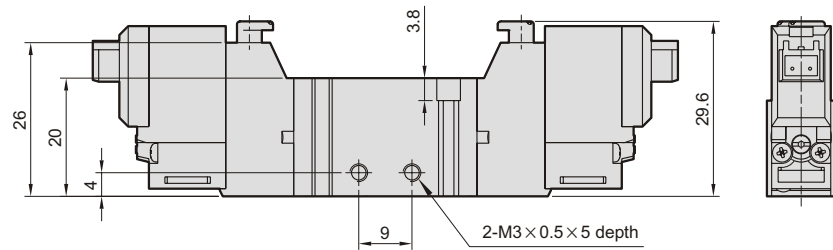
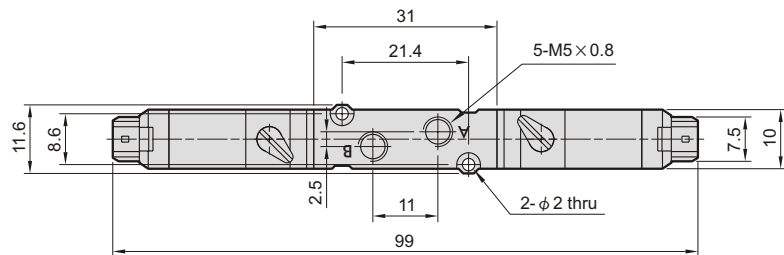


### Dimensions:

#### MVSY-100-4E1



#### MVSY-100-4E2



# MVSY-100

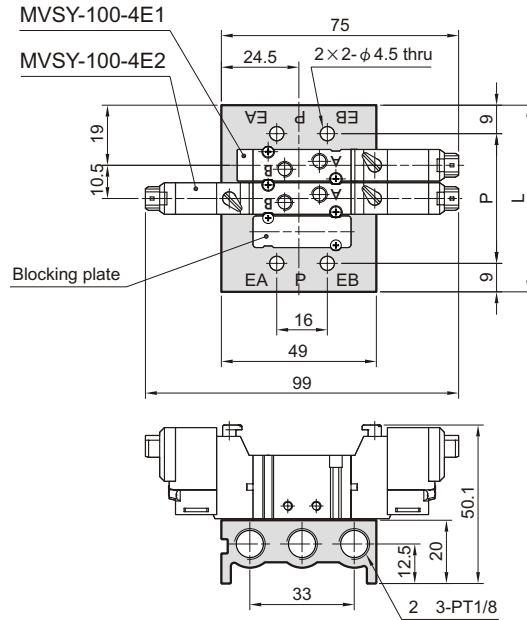
## SOLENOID VALVE



### Manifold of solenoid valve:

#### 5B\*

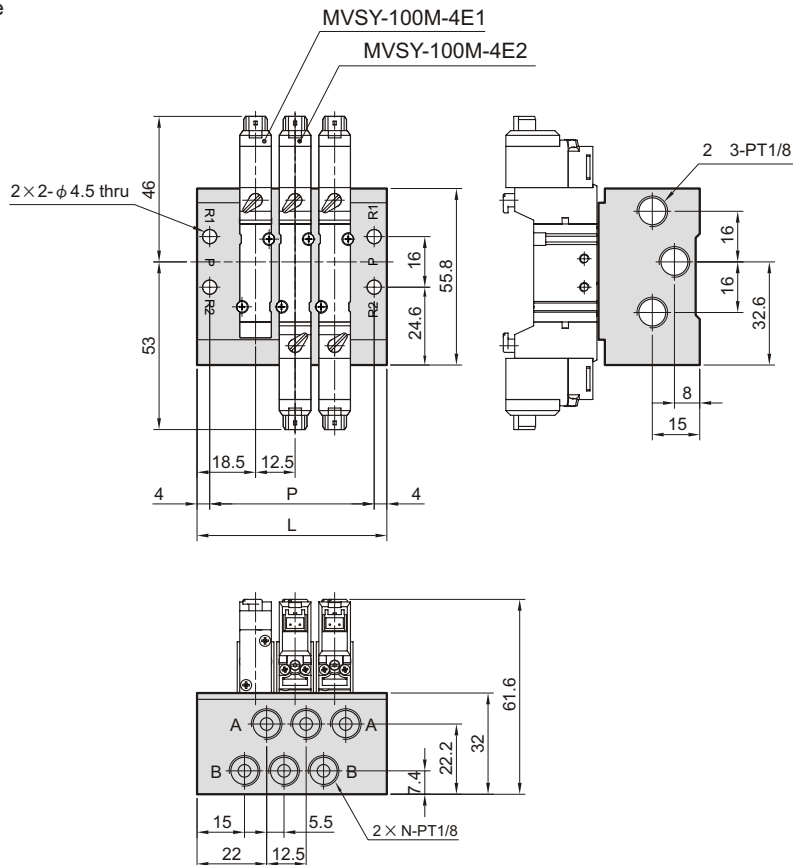
For body ported type



No. of stations (N)	P	L
2	30.5	48.5
3	41	59
4	51.5	69.5
5	62	80
6	72.5	90.5
7	83	101
8	93.5	111.5
9	104	122
10	114.5	132.5

#### 5M\*

For manifold type



No. of stations (N)	P	L
2	39.5	47.5
3	52	60
4	64.5	72.5
5	77	85
6	89.5	97.5
7	102	110
8	114.5	122.5
9	127	135
10	139.5	147.5

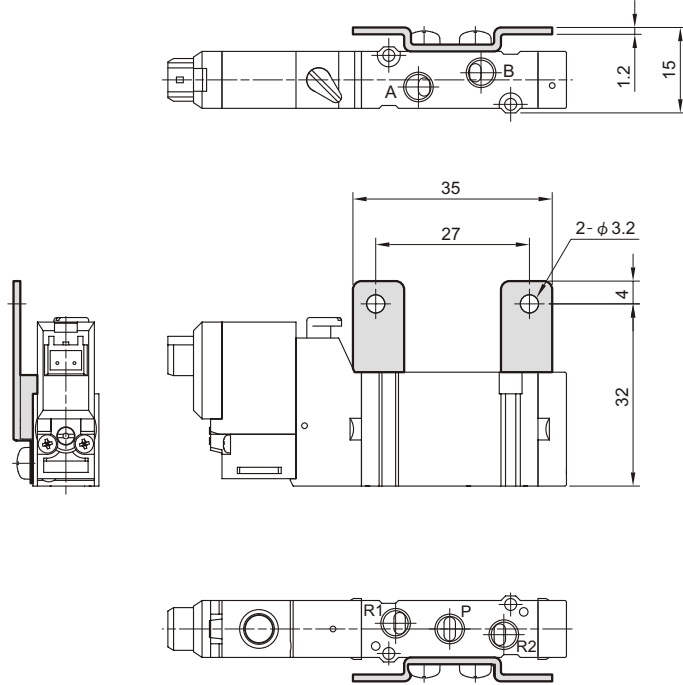
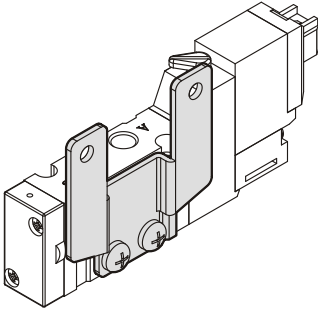
# MVSY-100

SOLENOID VALVE



## Mounting bracket:

1A



2A

